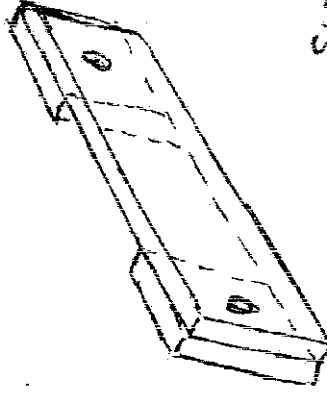
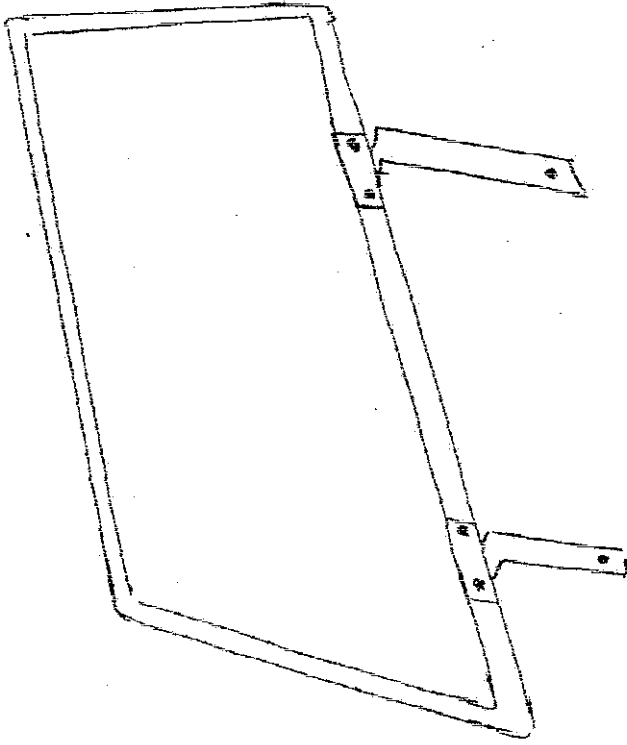
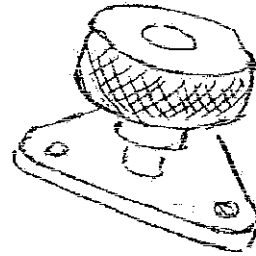


SUGGESTED METHODS OF
ATTACHING SIDESCREENS.
THE CRANKED BRACKETS ALLOW
FOR THICKNESS OF TRIM
PANELS BUT PACKINGS CAN
BE ADDED WHERE REQUIRED.



SLOTTED BRACKET
MADE UP FROM PIECES
OF 1" X 10 SWE STRIP.



KNORLED TURN SCREW
(EXPENSIVE)