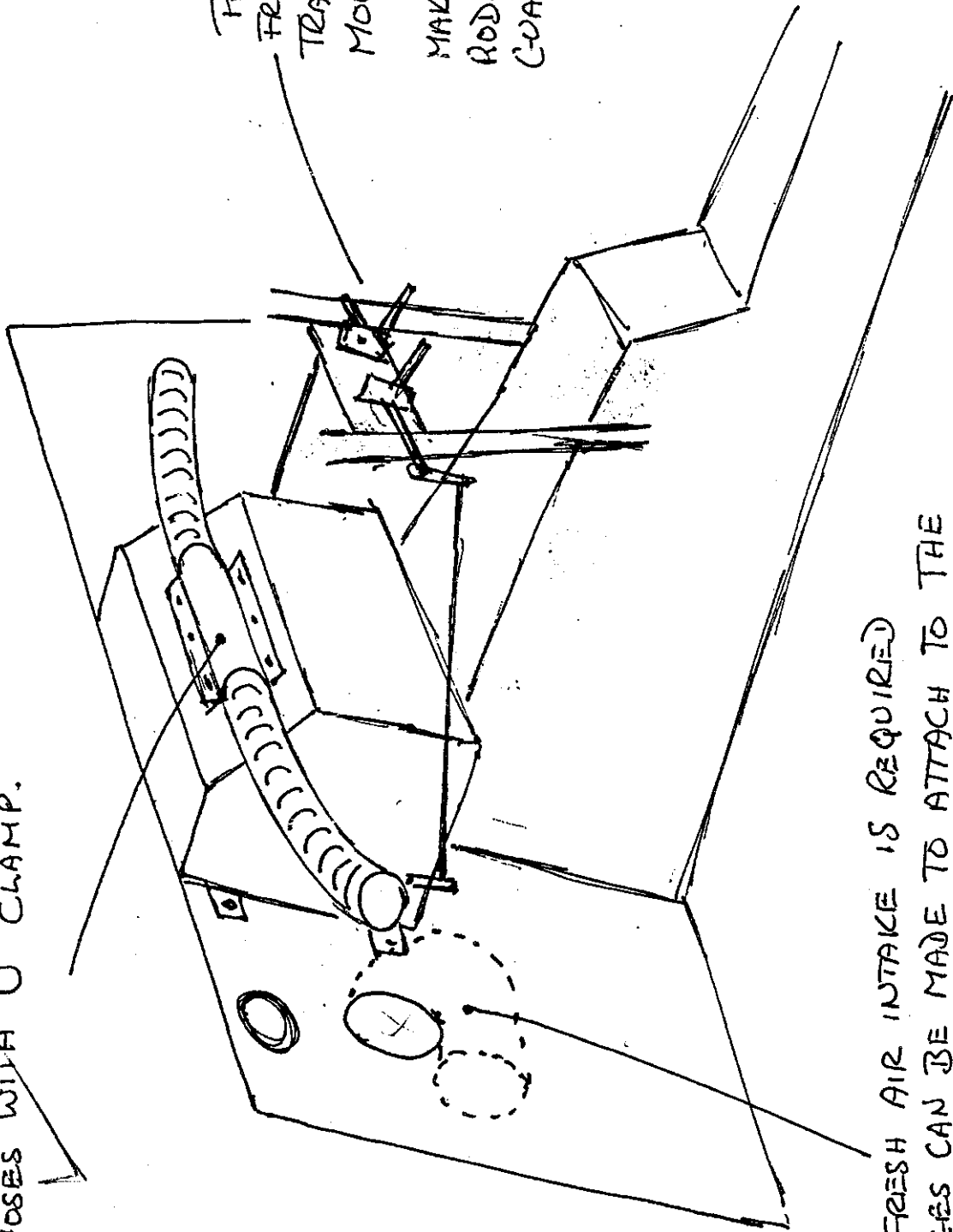


REMOVE RELIANT COVER AND FIT
DEMIST HOSES WITH 'U' CLAMP.



REMOVE CONTROLS
FROM HEATER BOX AND
TRANSFER THEM TO PLATE
MOUNTED ON SCUTTLE STAYS

MAKE UP NEW CONTROL
RODS OUT OF SUITABLE
GAUGE WIRE.

IF A FRESH AIR INTAKE IS REQUIRED
FLANGES CAN BE MADE TO ATTACH TO THE
BULKHEAD AND INNER FOOTWELL PANEL
AND CONNECTED BY TRUNKING.

HEATER INSTALLATION.