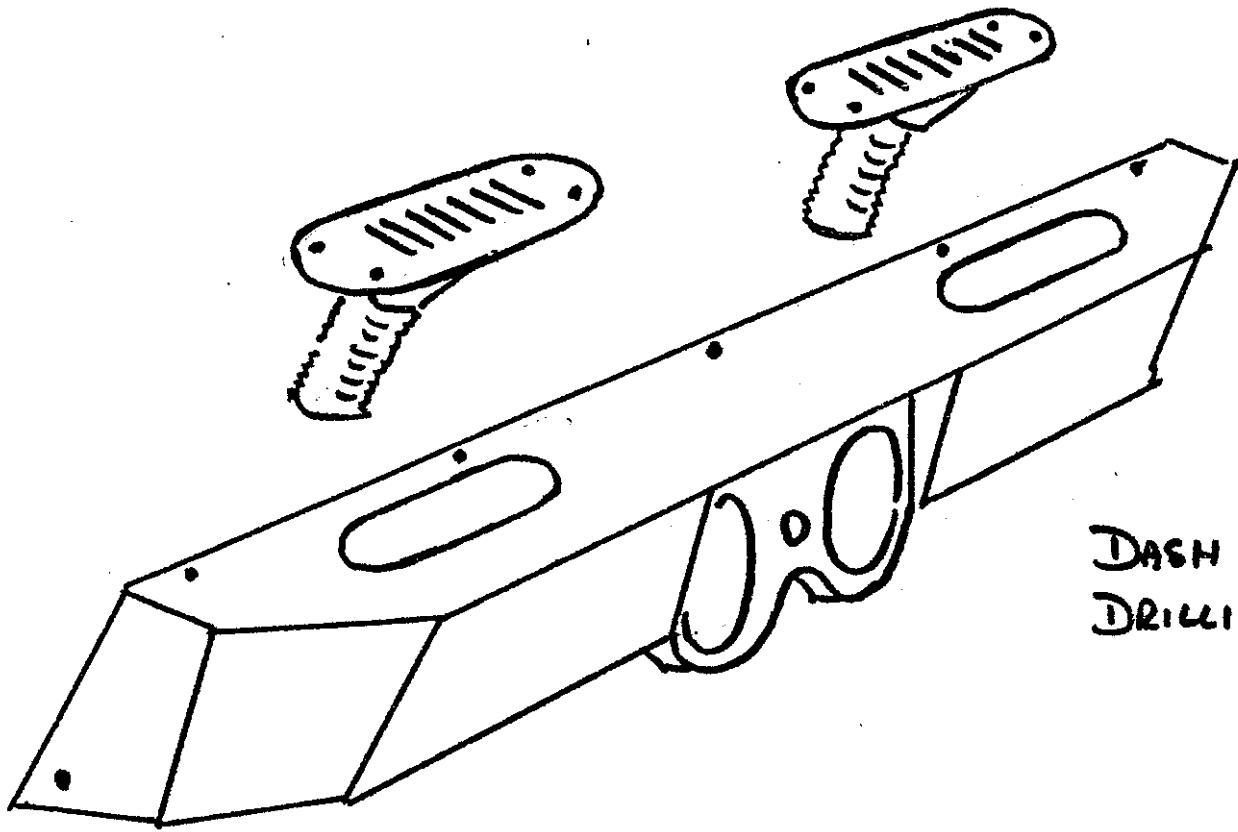
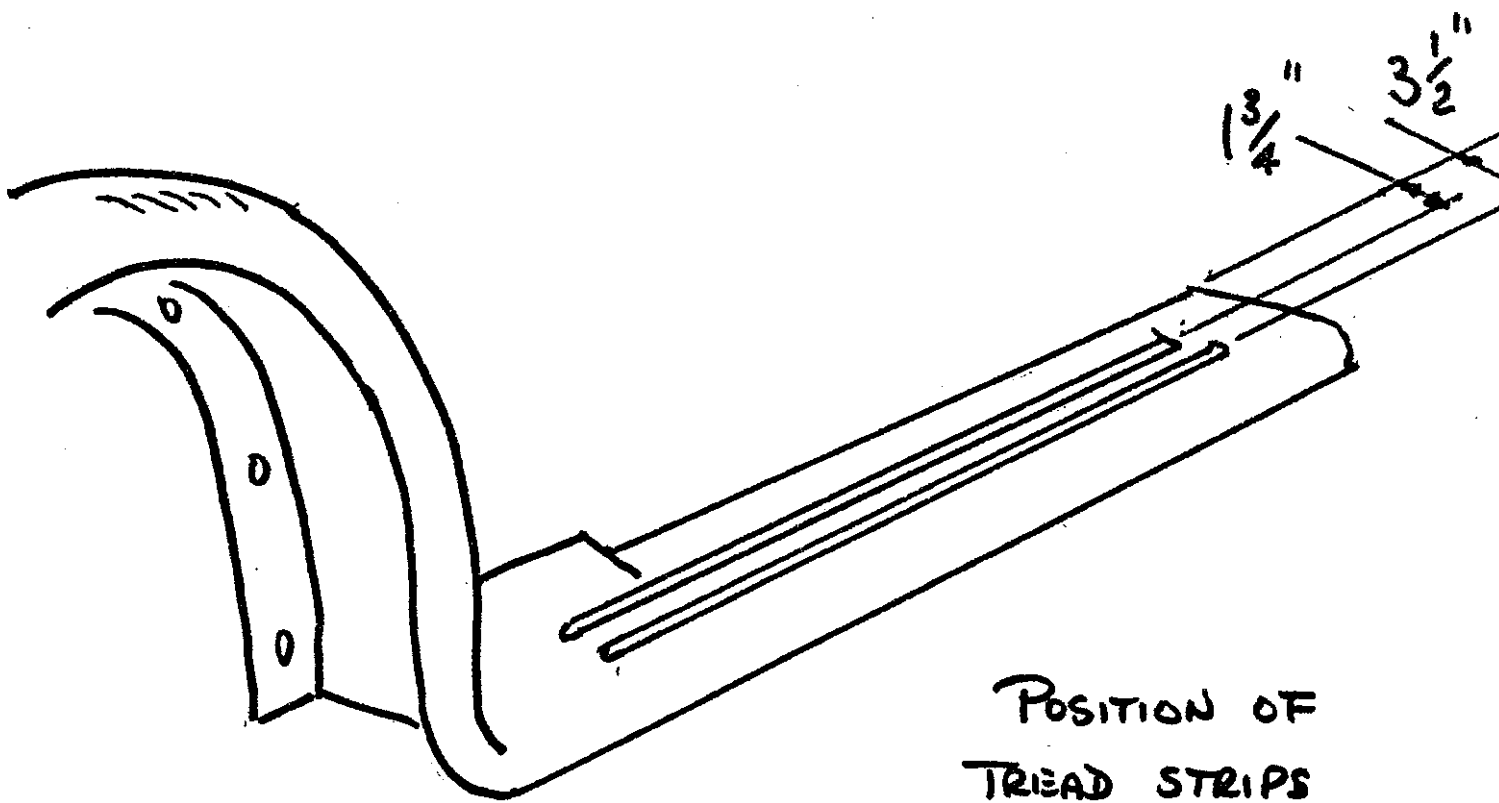


# STAGE SIX



DASH  
DRILLINGS.



POSITION OF  
TREAD STRIPS

# STAGE 7